

GTD-2000Tx**Smart Diffusion Oxygen & Toxic Gas Detector****Description**

GTD-2000Tx is an explosion-proof gas detector designed to detect oxygen, toxic gases, and VOCs, ensuring safe operation in hazardous environments.

It features a built-in display and HART communication, allowing remote configuration and simple one-person calibration using a magnetic bar.

Key Features

- ▶ Detects oxygen, toxic gases (CO, H₂S, NH₃, Cl₂, etc.), and VOCs.
- ▶ Explosion-proof design prevents secondary explosions.
- ▶ Built-in display for easy monitoring and calibration.
- ▶ HART communication supported.
- ▶ Magnetic bar enables remote setup and one-person calibration.
- ▶ Supports explosion-proof warning light (GTL-100).

Additional Information**| Accessories**

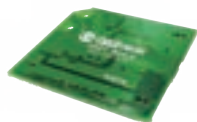
Cable gland



GTL-100



Rain cover



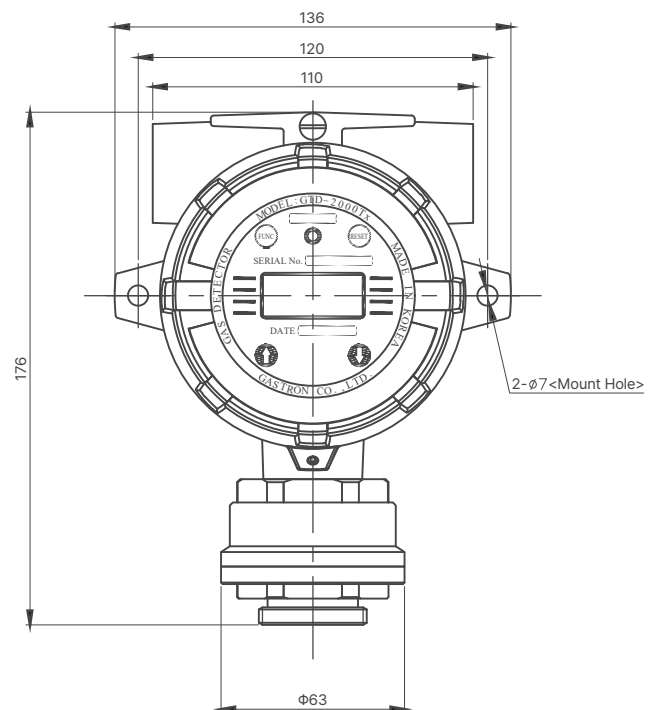
HART Module



Splash guard



Collecting cone

| Drawing

Product Specification

Measuring method	Galvanic cell	Electrochemical cell		Semiconductor cell	Photo-Ionization Detector(PID)
Measuring gas	O2	O2	Toxic gas	VOC gas	VOC gas
Measuring range & Resolution	*	*	*	*	*
Response time	< 15sec / 90% scale	< 15sec / 90% scale	Varies by gas	Varies by gas	Varies by gas
Sensor housing material	SUS316	SUS316	SUS316	SUS316	SUS316
Accuracy & Repeatability	±2% / Full scale				
Parameter control	Non intrusive control with a Magnet bar (Calibration, Maintenance)				
Operation mode display	1-LED (Power)				
Measuring value display	LCD display (Built in back light 2-Line, 8 Characters) / OLED type (Option)				
Output signal	Analog : 4-20mA Analog output (Source/Sink)/ Maintenance signal : 4mA / Calibration signal : 3mA / Fault signal : 0mA Digital : 2mA (HART 7, HART Device description language available, Option) Relay : (Option)				
Housing material	Aluminium alloy or Stainless steel				
Cable entry thread	Standard : PF 3/4" Option : PF 1/2" , M20 x 1.5P , M25 x 1.5P , NPT 1/2" , NPT 3/4"				
Mounting type	2" Pole mount, Wall mount				
Operating Voltage	24V DC (18V DC to 32V DC)				
Operating temperature	-40°C ~ 80°C				
Operating humidity	5 ~ 99%.RH (Non-condensing)				
Dimensions	136(W) x 176(H) x 110(D) mm				
Weight	1.7Kg (Aluminium alloy) / 3.4Kg (Stainless steel)				

Product Certification

Explosion-proof Certification	KCs, ATEX, IECEx, NEPSI, UL, PESO, TIIS ,TRCU ex, TS, ECAS Ex, FM	IP 66 / 67
Classification Society Certification	KR, MED, ABS, BV, DNV, CCS, RS, LR, RINA	-
Other Certifications	KC, SIL2, CE(EMC), CPA, HART, PAC, CE(RoHS)	