



- Aesthetically appealing pendant light fitting with 4 wattage ranges.
- Ideal for use in Zone 1 & Zone 21 with EX d protection
- Made of copper-free aluminium for absolute corrosion resistance.
- World-class quality standards: Certified and approved according to IECEx.
- Tough and durable: Can withstand impacts of up to 20 J and complies with IK10.
- Suitable for wide range of ambient temperatures from 20 °C to +50 °C.
- Longer luminaire service life with a promise of over 50,000 operating hours.
- All-round safety: Driver with under- and overvoltage protection and overtemperature protection.
- More lumens per watt with superior light output.

WebCode 6057B

The 6057 pendant light fitting is intended for lighting areas, work equipment and objects. It can be used indoors and outdoors. Using the right accessories, these light fittings can be used as pendant light fittings or, alternatively, they can be wall-mounted, ceiling-mounted or pole-mounted. With two thermally separated enclosure parts for the driver unit and LED unit, the 6057 pendant light fitting is a fail-safe luminaire meant for the harshest environments.

	IECEX / ATEX					
Zone	0	1	2	20	21	22
Installation in		•	•		•	•

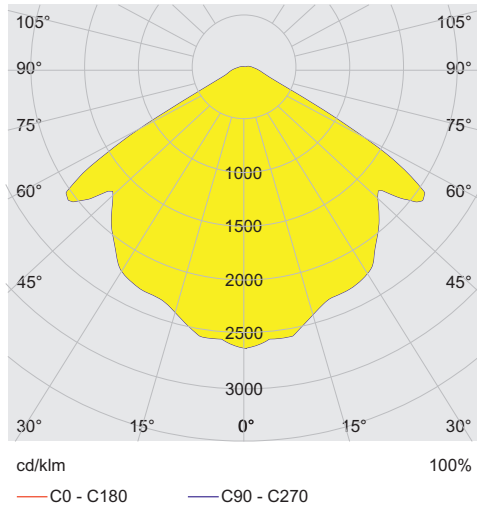


Selection Table						
Lamp type	LED					
Lamp wattage	Reflector	Luminous flux	Luminaire efficacy	Product Type	Art. No.	Weight kg
25 W	Yes	3070 lm	113 lm/W	6057/2212-201-6510-121-200	288971	5.100
	Yes	3070 lm	113 lm/W	6057/2212-201-6530-121-200	288972	5.100
45 W	Yes	4661 lm	104 lm/W	6057/2214-201-6510-121-200	288973	5.100
	Yes	4661 lm	104 lm/W	6057/2214-201-6530-121-200	288974	5.100
65 W	Yes	7093 lm	105 lm/W	6057/2216-201-6510-121-200	288975	5.100
	Yes	7093 lm	105 lm/W	6057/2216-201-6530-121-200	288976	5.100
80 W	Yes	7955 lm	103 lm/W	6057/2218-201-6510-121-200	288977	5.200
	Yes	7955 lm	103 lm/W	6057/2218-201-6530-121-200	288978	5.200

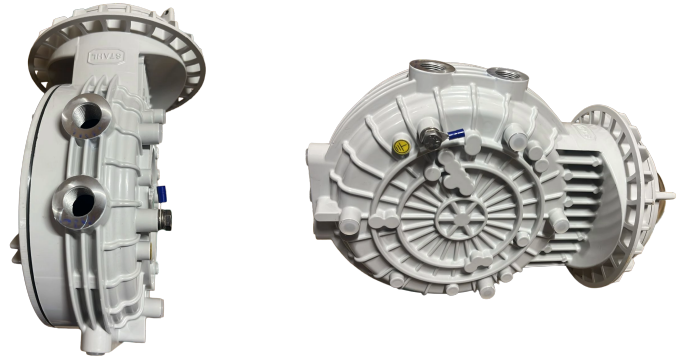
Technical Data				
Variant	25 W	45 W	65 W	80 W
Explosion Protection				
IECEX gas explosion protection	Ex db IIC T6 Gb	Ex db IIC T6/T5 Gb	Ex db IIC T5/T4 Gb	Ex db IIC T5/T4 Gb
IECEX dust explosion protection	Ex tb IIIC T85 °C Db	Ex tb IIIC T85 °C ... T100 °C Db	Ex tb IIIC T100 °C ... T110 °C Db	Ex tb IIIC T100 °C ... T110 °C Db
Certificates and approvals	IECEX	IECEX	IECEX	IECEX
Class	I (inner + outer PE)	I (inner + outer PE)	I (inner + outer PE)	I (inner + outer PE)
IECEX gas certificate	IECEX BVS 21.0049X	IECEX BVS 21.0049X	IECEX BVS 21.0049X	IECEX BVS 21.0049X

Technical Data				
Variant	25 W	45 W	65 W	80 W
Explosion Protection				
IECEX dust certificate	IECEX BVS 21.0049X	IECEX BVS 21.0049X	IECEX BVS 21.0049X	IECEX BVS 21.0049X
Electrical Data				
AC min. rated operational voltage	110 V	110 V	110 V	110 V
AC max. rated operational voltage	277 V	277 V	277 V	277 V
DC min. rated operational voltage	140 V	140 V	140 V	140 V
DC max. rated operational voltage	225 V	225 V	270 V	270 V
Nominal Current	0.139 A	0.234 A	0.31 A	0.363 A
Start-up current	$I_{peak} \leq 17 \text{ A}$, $\Delta t = 160 \mu\text{s}$	$I_{peak} \leq 33 \text{ A}$, $\Delta t = 160 \mu\text{s}$	$I_{peak} \leq 64 \text{ A}$, $\Delta t = 108 \mu\text{s}$	$I_{peak} \leq 64 \text{ A}$, $\Delta t = 108 \mu\text{s}$
Surge protection	4KV	4KV	4KV	4KV
Control gear service life	C10 $\geq 50 \text{ h}$, $T_a \leq 60 \text{ }^\circ\text{C}$ C10 $\geq 75 \text{ h}$, $T_a \leq 50 \text{ }^\circ\text{C}$ C10 $\geq 60 \text{ h}$, $T_a \leq 55 \text{ }^\circ\text{C}$	C10 $\geq 30 \text{ h}$, $T_a \leq 60 \text{ }^\circ\text{C}$ C10 $\geq 60 \text{ h}$, $T_a \leq 50 \text{ }^\circ\text{C}$ C10 $\geq 45 \text{ h}$, $T_a \leq 55 \text{ }^\circ\text{C}$	C10 $\geq 60 \text{ h}$, $T_a \leq 50 \text{ }^\circ\text{C}$ C10 $\geq 45 \text{ h}$, $T_a \leq 55 \text{ }^\circ\text{C}$ C10 $\geq 35 \text{ h}$, $T_a \leq 60 \text{ }^\circ\text{C}$	C10 $\geq 40 \text{ h}$, $T_a \leq 55 \text{ }^\circ\text{C}$ C10 $\geq 50 \text{ h}$, $T_a \leq 50 \text{ }^\circ\text{C}$
LED service life	L70B50: 100.000h	L70B50: 100.000h	L70B50: 80.000h	L70B50: 80.000h
Total Harmonic Distortion THD	< 11%	< 10%	< 10%	< 10%
Frequency range	50 – 60 Hz	50 – 60 Hz	50 – 60 Hz	50 – 60 Hz
Power factor	≥ 0.96	≥ 0.96	≥ 0.96	≥ 0.96
Ambient Conditions				
Storage temperature	-20 °C ... +70 °C	-20 °C ... +70 °C	-20 °C ... +70 °C	-20 °C ... +70 °C
Ambient temperature °C	-20 – 50 °C	-20 – 50 °C	-20 – 50 °C	-20 – 50 °C
Ambient temperature °C 2	-20 – 60 °C	-20 – 60 °C	-20 – 60 °C	-20 – 55 °C
Lighting Data				
Colour temperature	5700 K	5700 K	5700 K	5700 K
Colour rendering	≥ 80	≥ 80	≥ 80	≥ 80
Mechanical Data				
Degree of protection (IP)	IP66 / IP67	IP66 / IP67	IP66 / IP67	IP66 / IP67
Impact strength (IEC 62262)	IK10	IK10	IK10	IK10
Enclosure material	Aluminium, Powder-coated	Aluminium, Powder-coated	Aluminium, Powder-coated	Aluminium, Powder-coated
Enclosure colour	Light grey (RAL 7035)	Light grey (RAL 7035)	Light grey (RAL 7035)	Light grey (RAL 7035)
Protective glass material 2	Borosilicate glass	Borosilicate glass	Borosilicate glass	Borosilicate glass
Sealing material	Silicone	Silicone	Silicone	Silicone
Max. finely stranded connection terminals	6 mm ²	6 mm ²	6 mm ²	6 mm ²
Max solid connection terminals	6 mm ²	6 mm ²	6 mm ²	6 mm ²
Components				
Cable glands and entries	According to the order	According to the order	According to the order	According to the order
Stopping plugs	According to the order	According to the order	According to the order	According to the order
Wire guard	No	No	No	No

Light Distribution Curves – Subject to Alterations

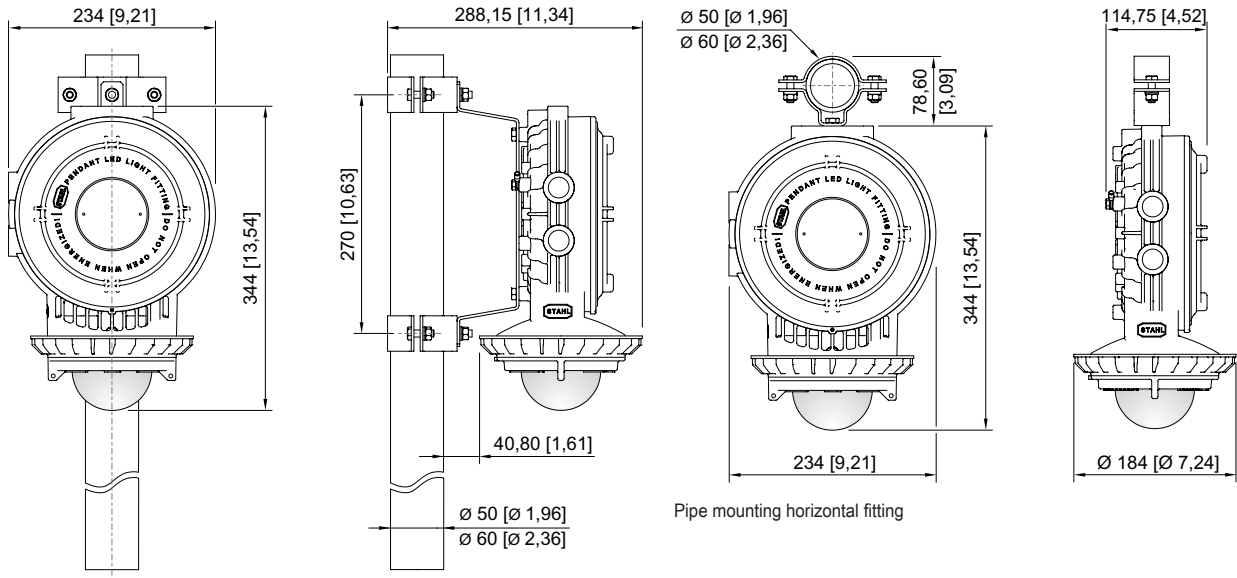


Light Distribution Curve 6057

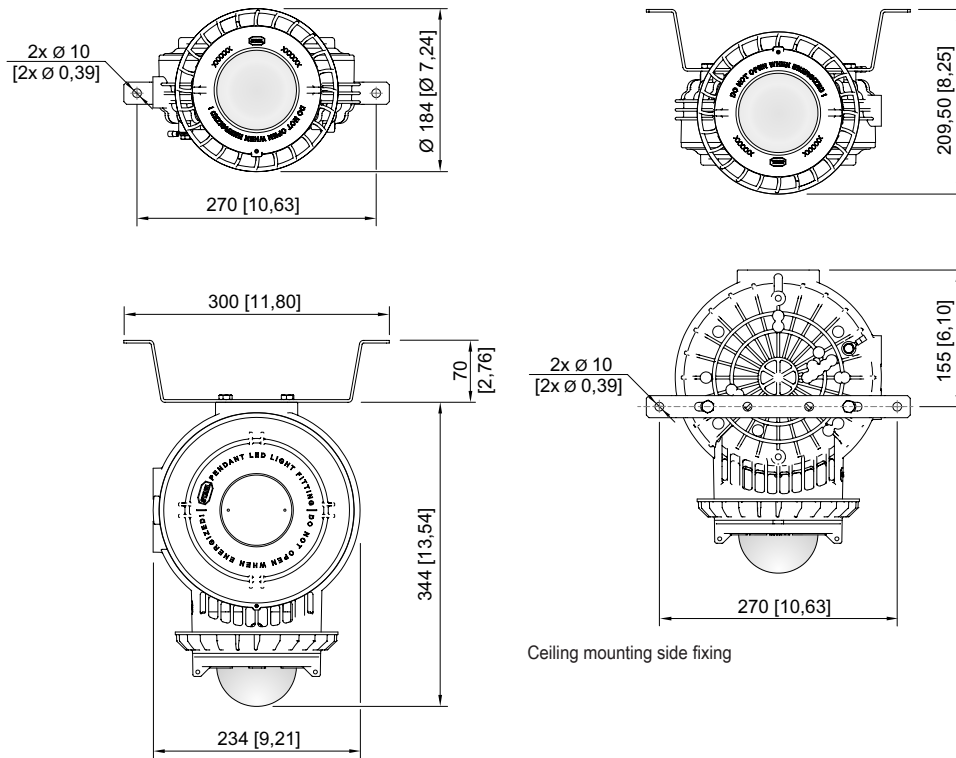


Accessories

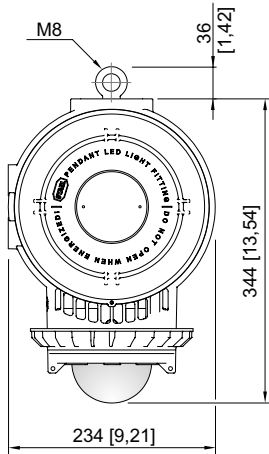
Figure	Description	Art. No.	Weight kg
Mounting bracket			
	Horiz. Pipe mtg. brk. Ø50mm 6057 spare	289889	-
	Horiz. Pipe mtg. brk. Ø60mm 6057 spare	290041	-
	Wall/ceiling mtg.brk. 6057 spare 1.4301	288823	-
	Verti. Pipe mtg. brk. Ø50mm 6057 spare	289890	-
	Verti. Pipe mtg. brk. Ø60mm 6057 spare	290042	-
Ring bolt			
	Ring bolt M8x9 similar DIN 580 C15	115896	0.050



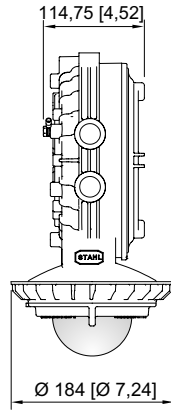
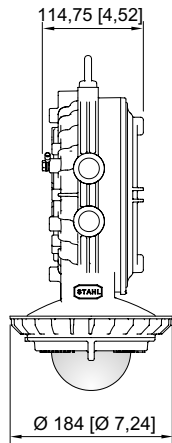
Pipe mounting vertical fitting



Ceiling mounting top fixing



Ringbolt



Standard

